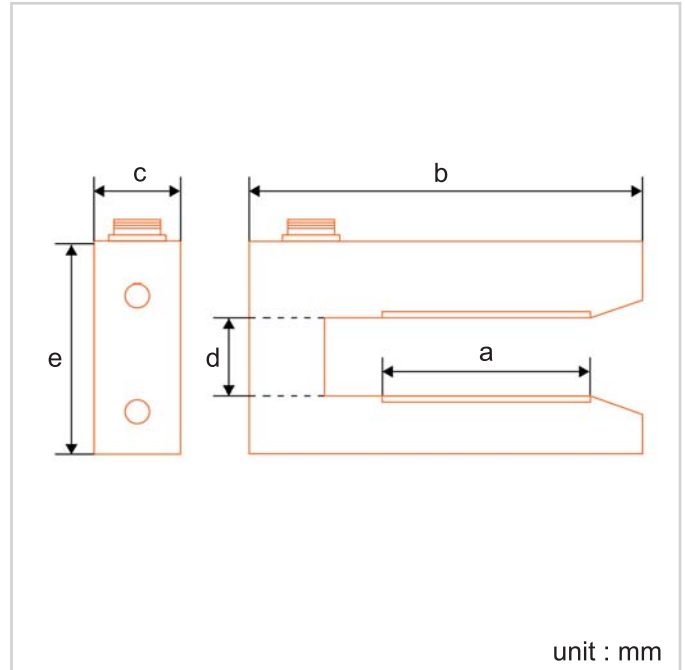


## Photoelectric Center Sensors (pair)



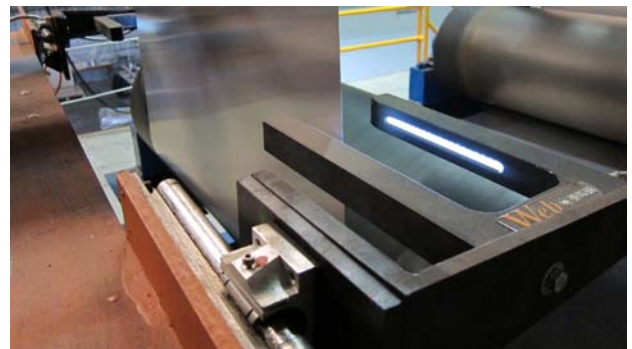
## Dimensions



TOUGU DENKI Photoelectric Center Sensors are wide band sensors for center position control of opaque film, paper, metal and others. The band width of sensors can be chosen for requirements in various applications. Both of them must work at the same time.

## Technical Data

Model	DCP
Detect Type	Photoelectric
Accuracy	1~20 mm
Light Source	LED
Housing Material	Aluminium
Temperature	5~50°C



Photoelectric Center Sensors DCP-150 are used on a Steel Web Finishing Machine

## Specification

Model	DCP-150	DCP-300	DCP-450
a	150	300	450
b	290	440	690
c	33	33	33
d	100	100	100
e	162	162	162
Weight	1600g	2200g	3000g



Photoelectric Center Sensors DCP-450 are used with a End Pivot Guide